

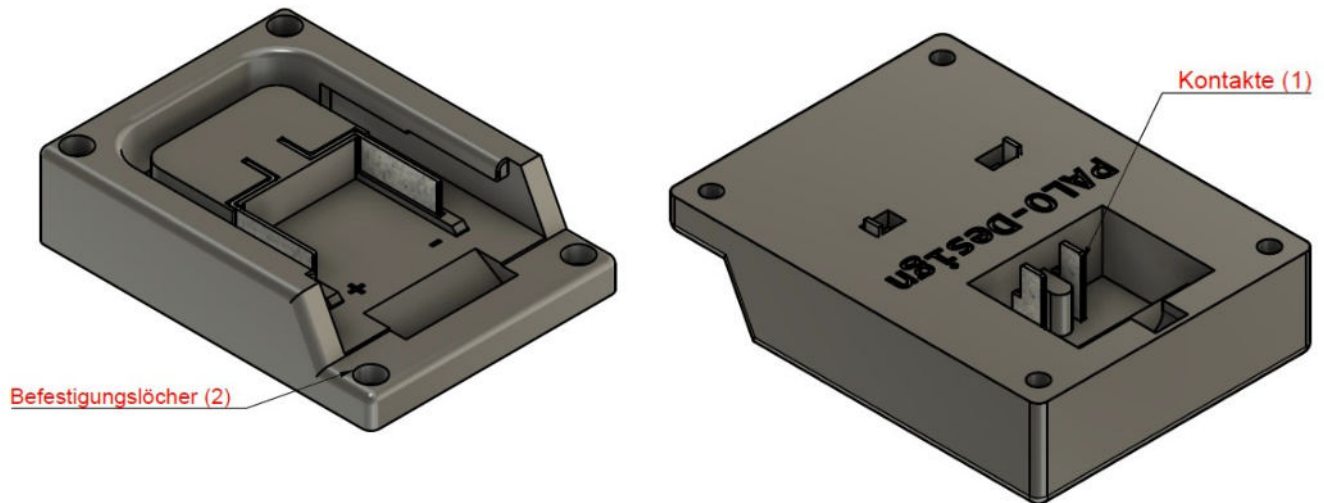
operating instructions

This manual is valid for the following battery adapter series:

These operating instructions are valid for the following battery adapter series:

	article number
Aldi Ferrex 20-40V	110006, 110008
Bosch GBA	110012, 110001, 110104, 110105
Bosch PBA	110037, 110038
Einhell X-Change	110013, 110009, 110089, 110090
Hilti B12	110101
Hilti B22	110007
Hilti B22 Nuron	110085
Hilti B36	110068
Lidl X20V	110040, 110041, 110092, 110092
Lux AK-20	110076, 110078
Makita BL10xx	110049, 110048
Makita BL14xx / BL18xx	110019, 110015, 110004, 110087, 110093
Metabo 18V/36V	110051
Milwaukee M18	110016, 110017
Milwaukee M28	110061
Powerworks	110096

PALO - Design Akkuhalter.de



example pictures

1. Intended Use

This adapter is intended only as a backup power supply for electrical devices such as:

- lamps or lighting
- radios
- ...

2. General safety instructions

- Do not use outdoors, avoid moisture and high temperatures.
- Only use the adapter with the intended battery model.
- Do not use the device if it is damaged or cracked.
- Modifications to electrical devices may only be carried out by qualified personnel.
- **Improper use may result in damage, short circuits and fires.**

3. commissioning / installation

- The electrical connection can be made by soldering directly to the contacts (1) on the back or by using

PALO – Design **Akkuhalter.de**

suitable flat plug sleeves (cable lugs). Please ensure the polarity is correct (+ and -), incorrect polarity can cause damage to the device and battery.

- The adapter is attached using screws in the mounting holes provided (2).

4.use

- Insert your battery into the adapter until it clicks into place.
- The device is now ready for use and your battery is firmly connected to the adapter.
- The battery can be removed again by pressing the release button.